

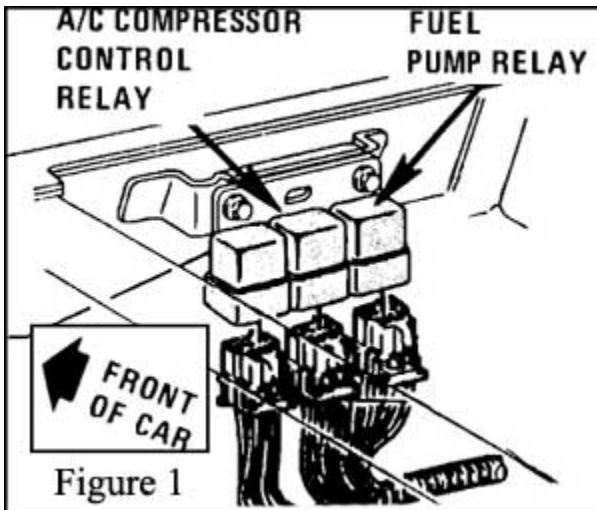


Relay Locations

Below is a list of the common relays used on the Fiero and their location.

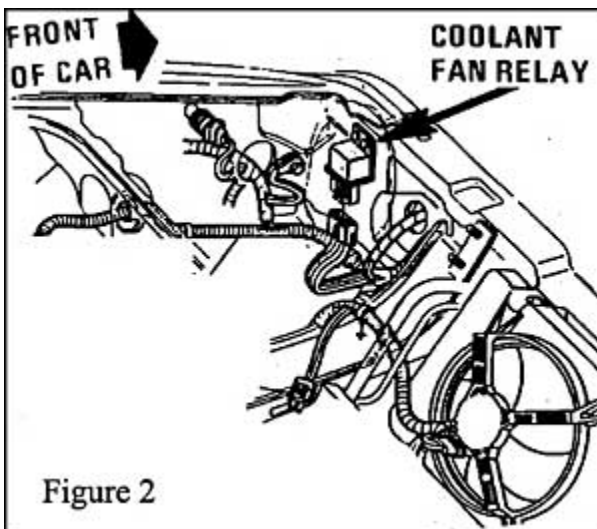
Air Conditioning Relay

1. Located on the rear firewall in the engine compartment, behind the driver's seat, **Figure 1**



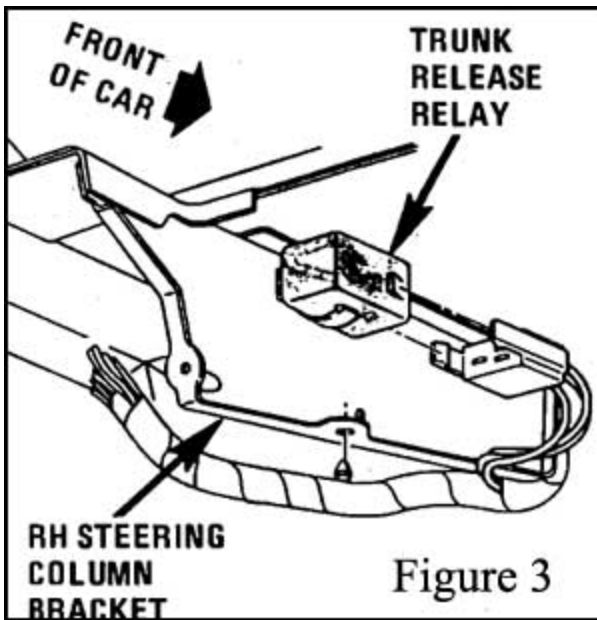
Coolant Fan Relay

2. Located in front of the left headlamp assembly, on the radiator support, **Figure 2**.



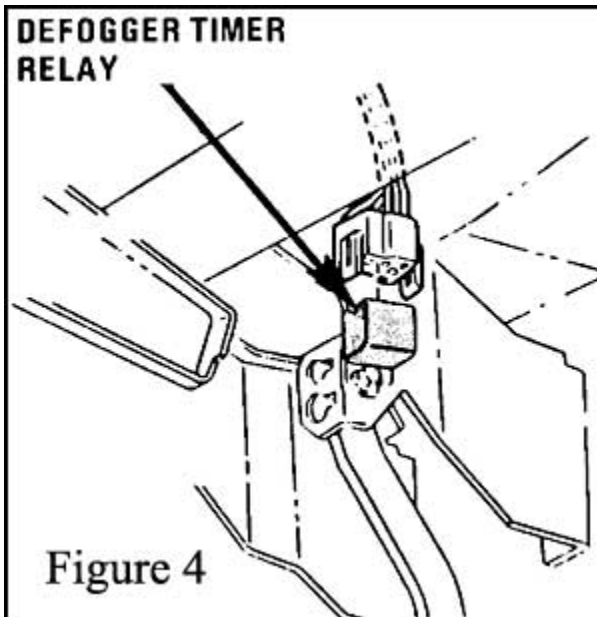
Decklid Release Relay

3. Located under the driver's side dash on the steering column support bracket, **Figure 3**



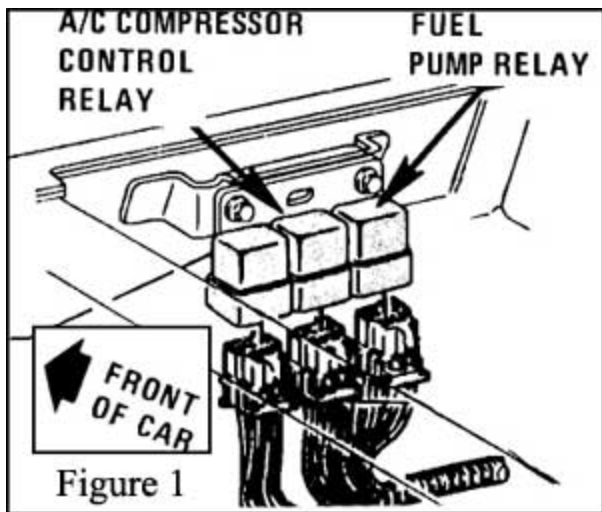
Defrost Timer Relay

4. Located under the driver's side dash and mounted to the upper portion of the brake pedal bracket, **Figure 4**



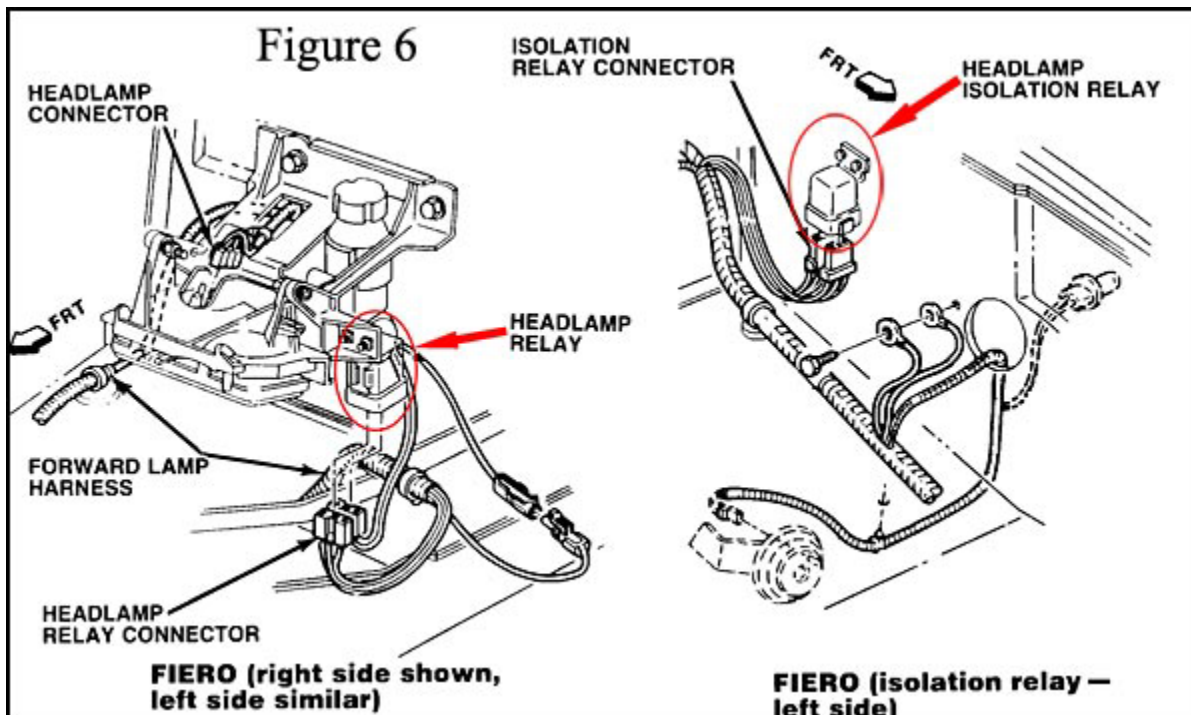
Fuel Pump Relay

5. Located on the rear firewall in the engine compartment, behind the driver's seat, **Figure 5**



84-86 Headlamp Relays

6. There are 3 relays in the 84-86 headlamp motor circuit. One is located on the inner fender well, just to the left of the driver's side headlamp assembly. The other two relays are mounted on each headlamp assembly, next to each motor

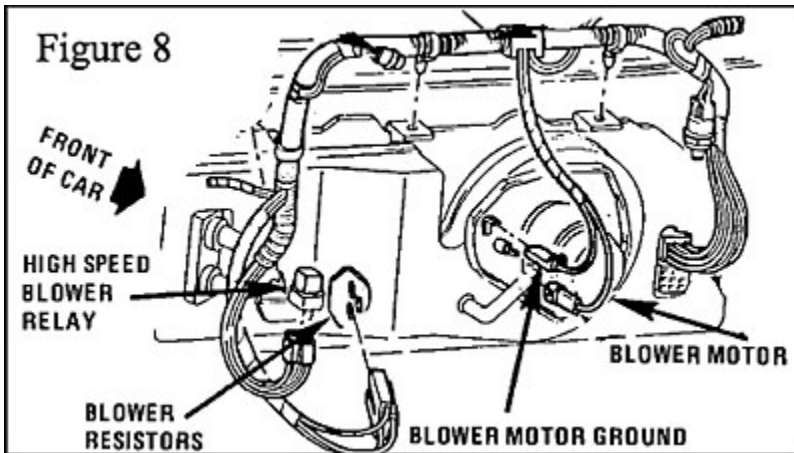


87-88 Headlamp Motor Module

7. Located in front of the left front wheel. Pull the inner fender liner off and it is mounted on the steel inner fender

Heater Blower Motor Relay

8. Located under the front hood on the front of the heater box, **Figure 8**



Horn Relay

9. Located under the passenger side dash on the right heater box, **Figure 9**

